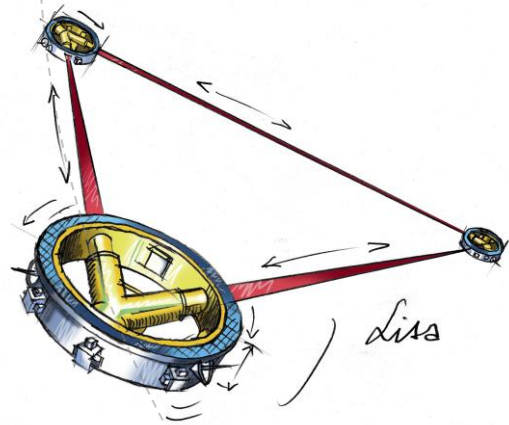




# LISA

## ASSEMBLY INTEGRATION AND TESTING



GABRIELLE CHABAUD

[GCHABAUD@APC.IN2P3.FR](mailto:GCHABAUD@APC.IN2P3.FR)

207B



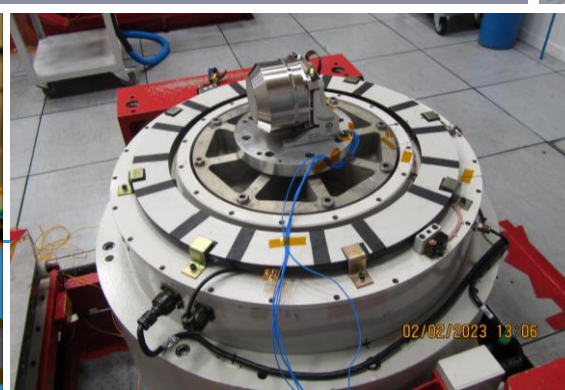
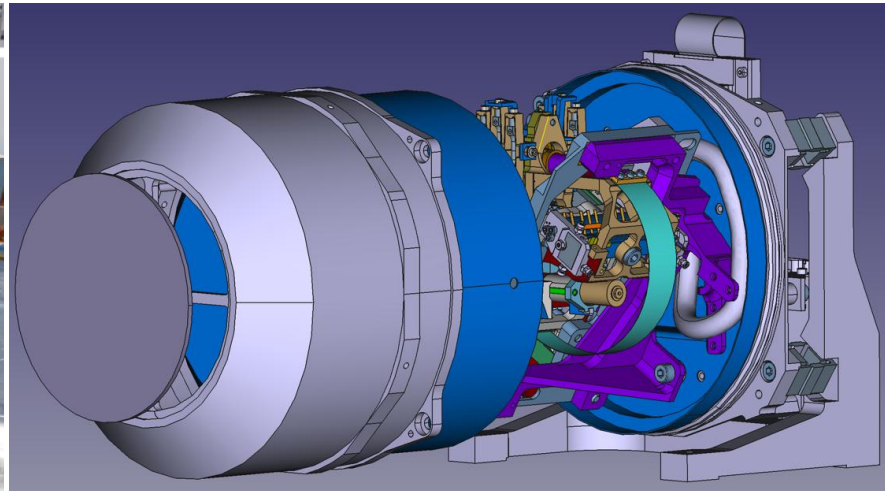
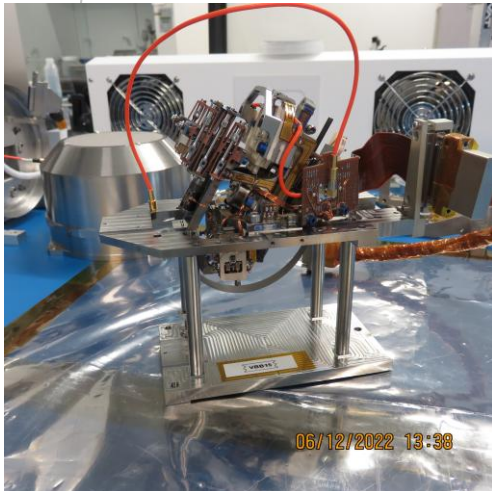
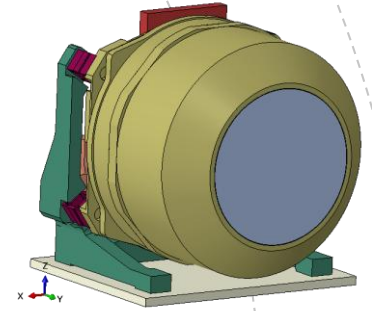
BIENNALE APC  
04/06/2026



# IPGP : FARSIDE SEISMIC SUITE PROJECT – JPL/NASA-CNES QUALIFICATION AND COMMISSIONING OF A MOON SEISMOMETER

Previous project  
oct 2021 to fev 2024

Instrument box design and testing  
Instrument functional tests  
Environment test of qualification and flight model  
Delivery of the flight model instrument



# IGOSat : Ionospheric and Gamma-ray Observation Satellite

## AIT manager

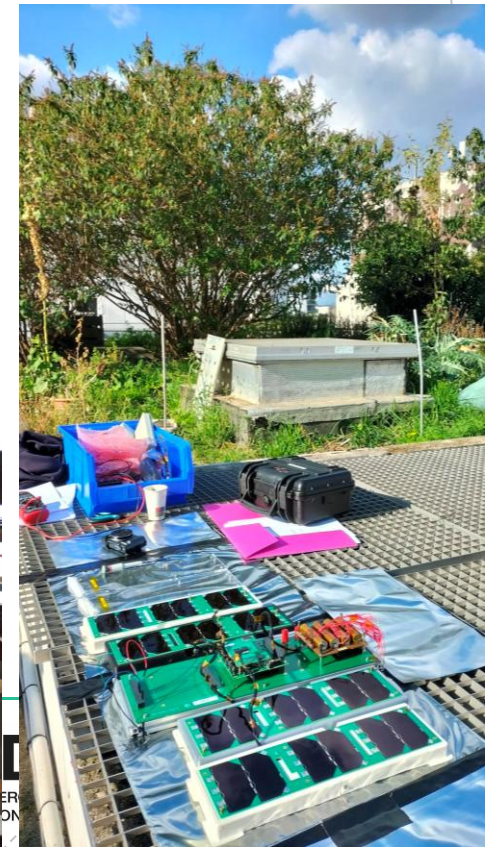
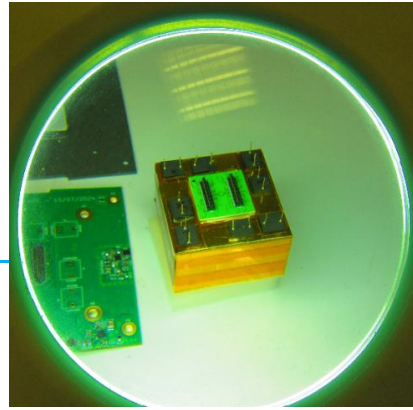
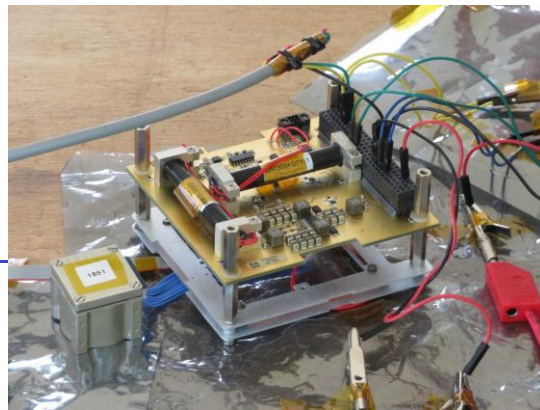
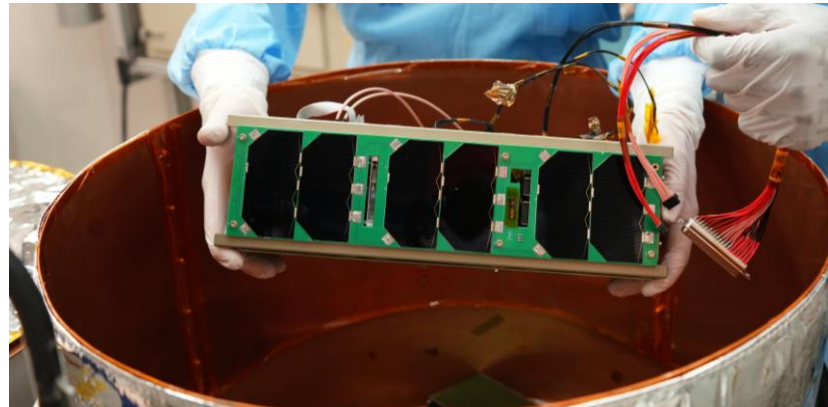
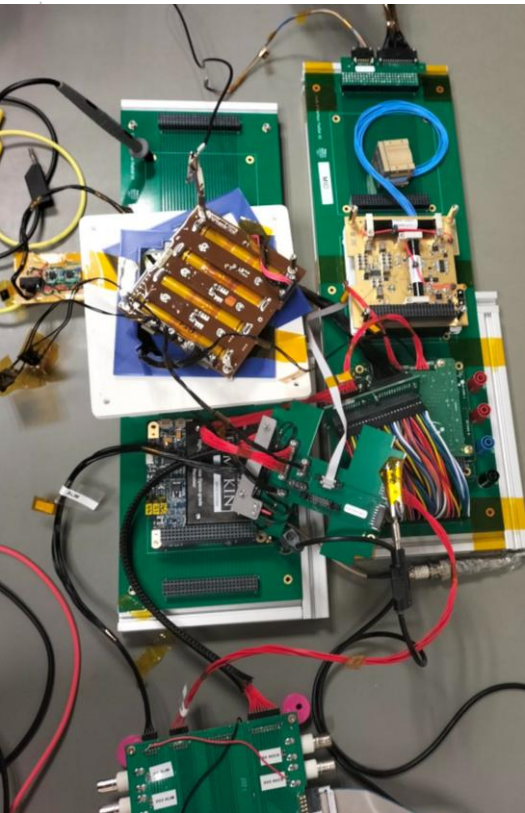
Qualification model environnement tests => stop because of a major non conformity

ProtoFlight satellite manufacture

Stand alone tests of the different boards of the satellite  
Flatsat tests with all subsystems

Preparation of procedures / environnemental tests

Adapt to the launch constraints





# THANKS FOR YOUR ATTENTION !

By the way:

We have some technical furniture to giveaway from the old LISA cleanroom

- a big cabinet to give
- a table
- A desk

