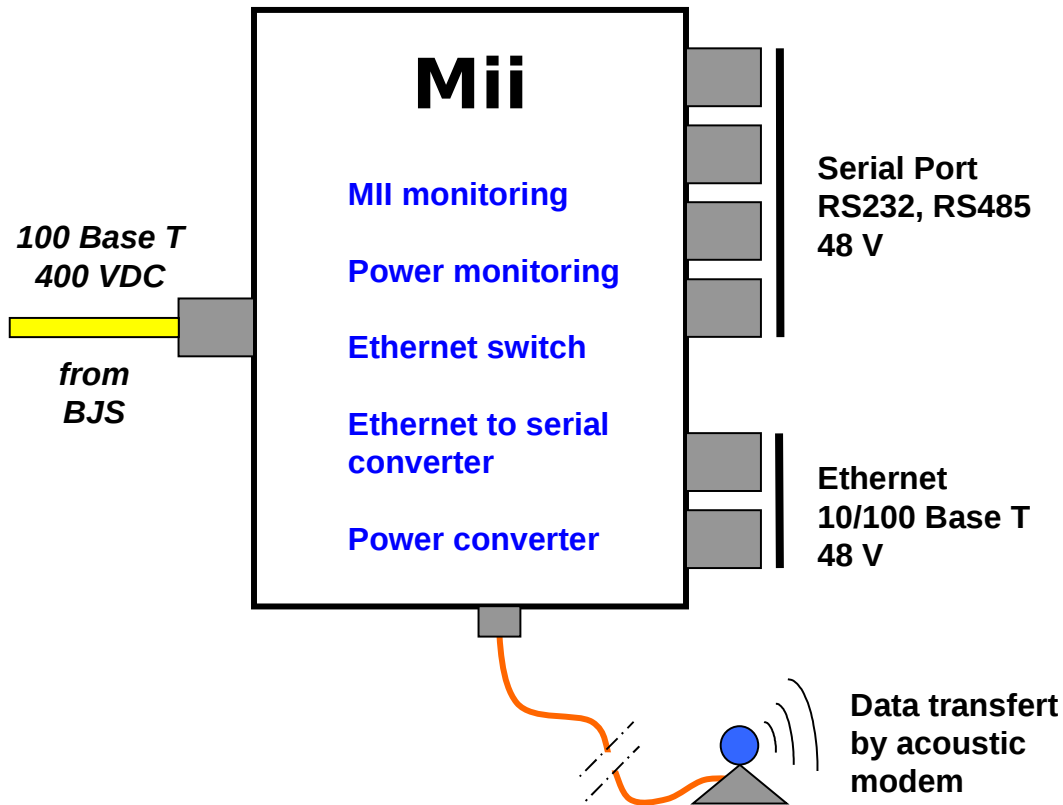


Mii description



Features :

- Serial interface (RS232...) 48 VDC
- Ethernet interface (10/100 Base T) 48 VDC
- Acoustic modem for autonomous moorings lines
- Internal monitoring
 - Temperature
 - Humidity
 - Local power supplies
- Ports monitoring
 - Voltage
 - Current

Some questions

- **How many ports for each type ?**

Depends on the user and Budget

- **Power available for Mii ?**

Award by BJS

- **“Acoustic modem” vs “ANTARES” ?**

Study under way...

