

LSST-France in DESC

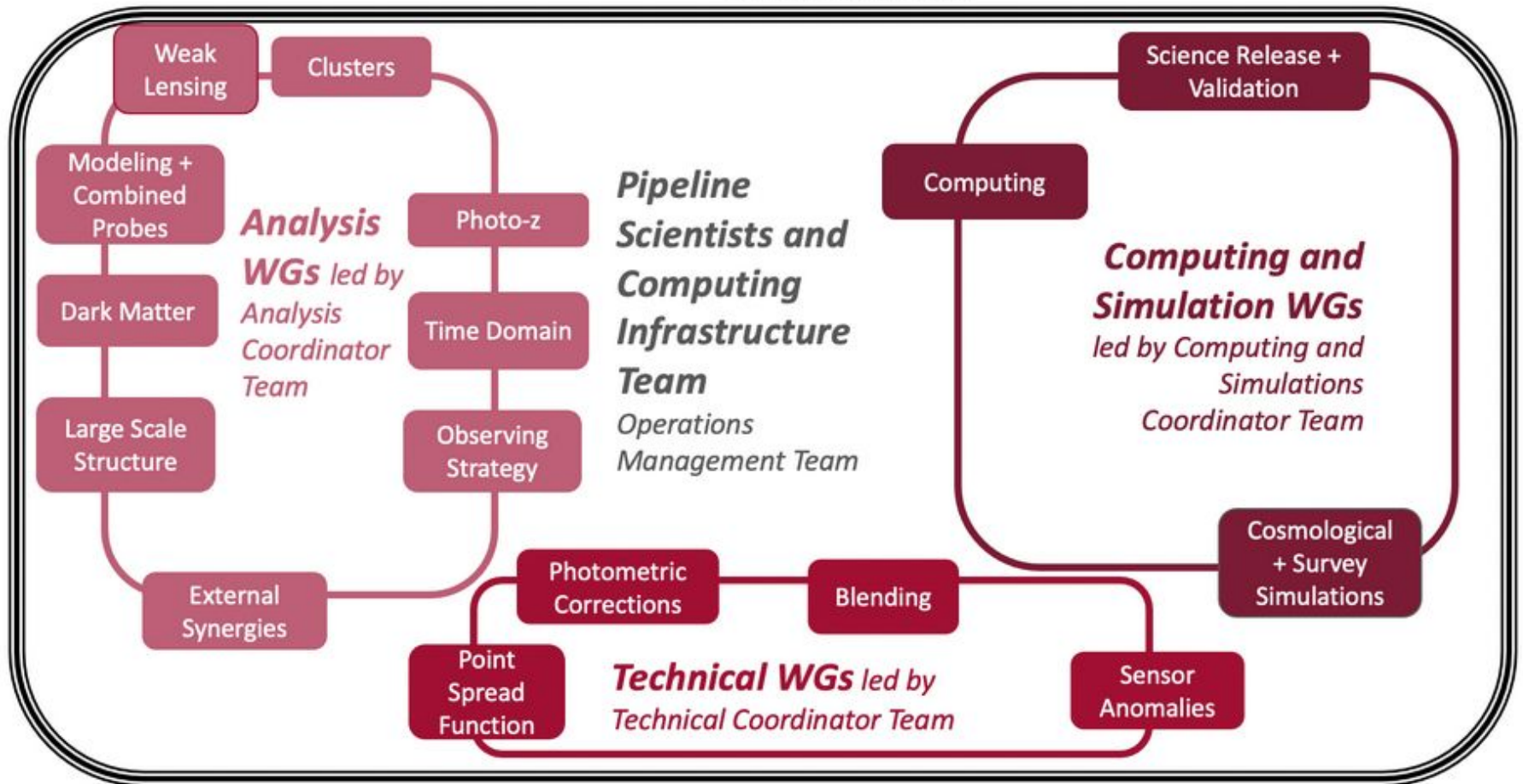
Céline Combet, Johann Cohen-Tanugi



DESC - overview

DESC: 1246 members, including 237 Full members, including 44 builders (23/11/2022)

DESC Management led by
Spokesperson Team



LSST-France in DESC

DESC: 1246 members, including 237 Full members, including 44 builders (23/11/2022)

LSST-France : ~100+ members, 36 Full Members, 3 builders (*D. Boutigny, J. Cohen-Tanugi, P. Gris*)

Responsibilities

- **Technical working groups**

- Sensor anomalies WG (C. Juramy)
- Photometric Corrections WG (S. Dagoret)
- Blending WG (C. Doux)

- **Topical teams**

- Bayesian Pipelines (F. Lanusse)
- Cluster Lens. Mass Modeling (M.Aguena, M.Ricci)
- Difference Image Analysis (B. Racine)

- **Operations**

- Pipeline scientists: M. Aguenta, P. Gris, M. Ricci

- **Committees**

- Advisory board (P. Antilogus)
- Col. Council (C. Combet; E. Ishida; F. Lanusse; M. Ricci)
- CC Nominating Committee (A. Boucaud)
- Operation Committee (E. Aubourg)
- International Resource Committee (V. Poireau)
- Membership Committee (A. Boucaud)
- Publication Committee (E. Ishida)
- Data Facility Committee (D. Boutigny)
- EDI Committee (Observing: G. Shifrin)

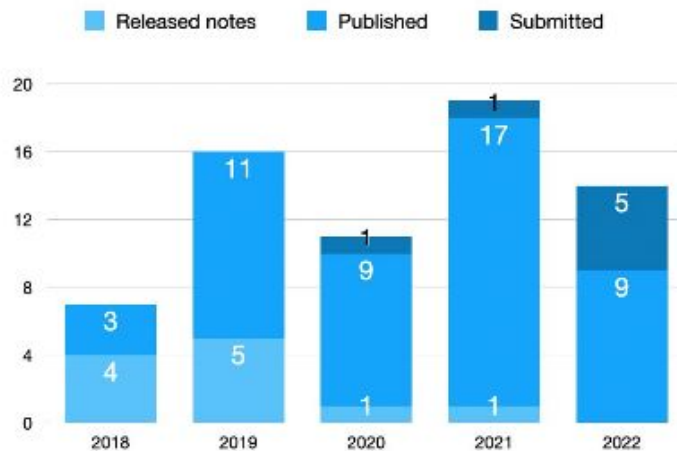
- **Ombudspersons :** C. Roucelle

No LSST-France co-convenership in Analysis working groups

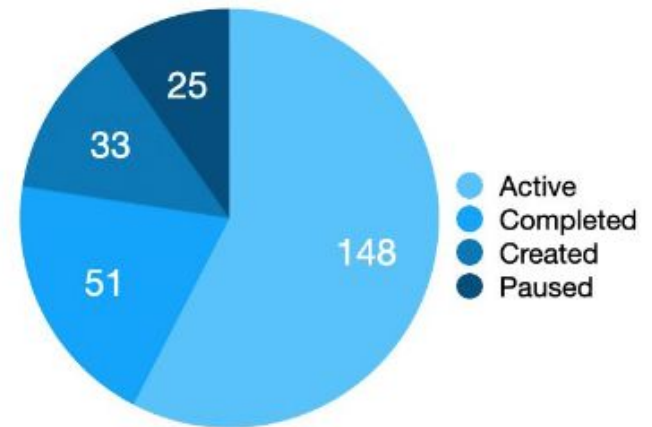
DESC science is ramping up

- **Papers and Projects**

From K. Heitmann's talk at August DESC meeting



67 Papers and Notes



257 Projects

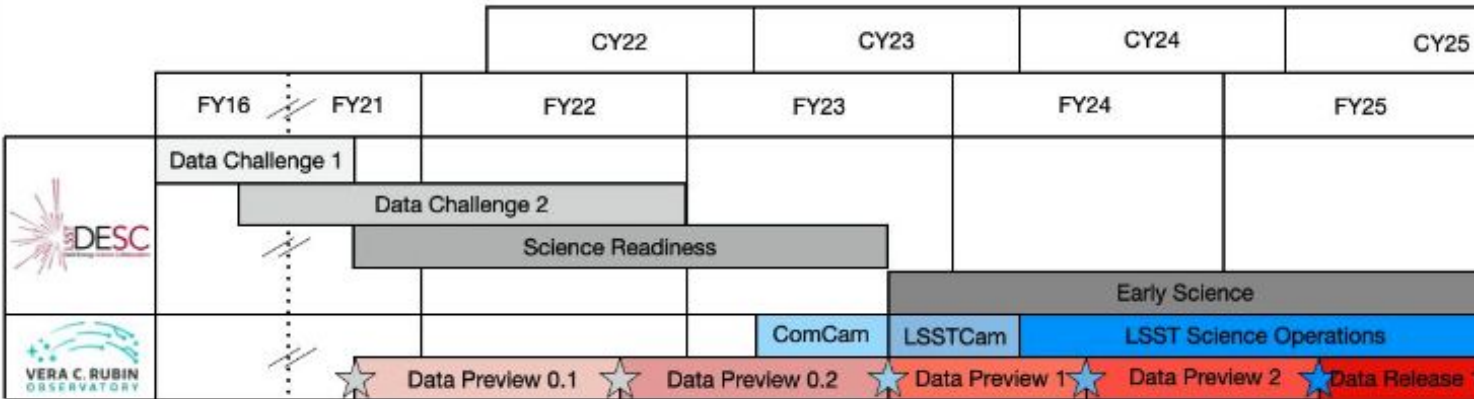
5 DESC articles with IN2P3 co-authors (07/21 - 09/22, from EAP table)

For the moment, most of our publications are outside of DESC

DESC Science preparation

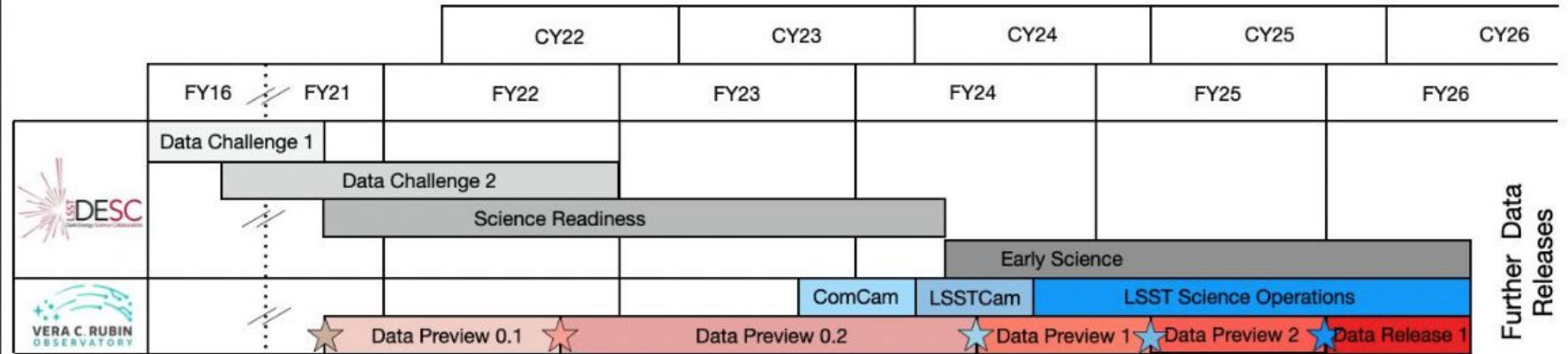
- Science overview (<https://zenodo.org/record/7245832#.Y2vVdoLMI94>)
 - extracted from the soon-to-be-archived SRM
 - provides an overview of the global science prospects
- PubBd : [confluence page](#)
 - confluence page provides guidelines
 - [PubBd database](#) database provides entries to all DESC science projects and publication efforts
- DESC Operation plans ([confluence page](#)) : defines how DESC puts the “system” in place to deliver the science.
 - Operations Prioritization Plan
 - Operations Management Plan
- More technical : the current DESC MAF [metrics tracker](#)

What's next?



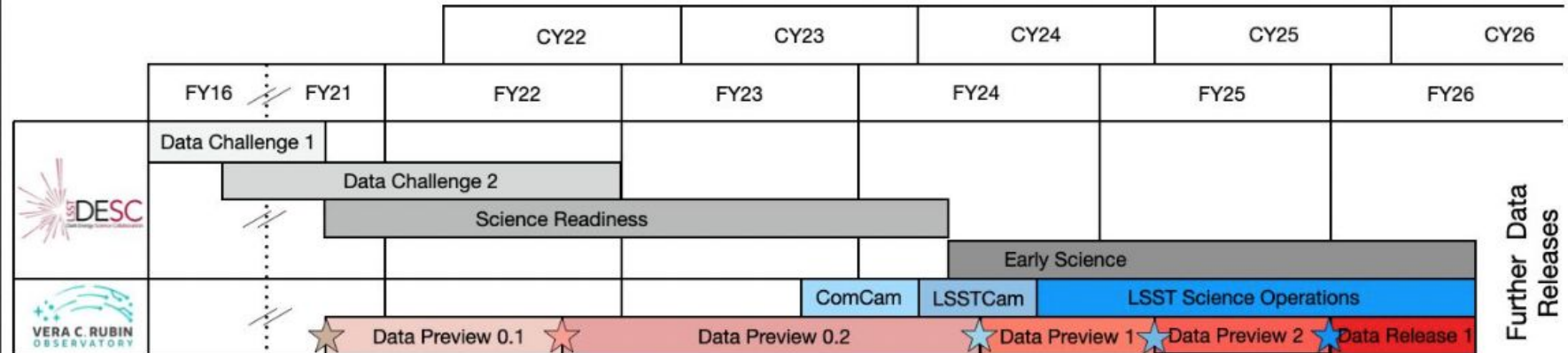
Status last spring

What's next?



- Last August, project shifted start of survey to fall 2024 → ~ 6 month delay
- But apparently, yet a bit more (and no ComCam? see Claire's talk)
- Impacts DESC timeline → more time for science readiness!

What's next?



- Last August, project shifted start of survey to fall 2024 → ~ 6 month delay
- But apparently, yet a bit more (and no ComCam? see Claire's talk)
- Impacts DESC timeline → more time for science readiness!

DESC commissioning projects with LSST-France members

- Clusters
- DIA
- Galaxy clustering systematics
- ...?

Not clear to me where things are at

LSST DESC Science Plan: Goals for Year 1 Data
→ *retires the Science RoadMap*

DESC science plan ([link to Katrin's leadership presentation](#))

~ 4-5 year plan until [10/2026 - 05/2027], coarse-grained

Defines the primary science goals for DR2 (1 year of data)

1. Check for consistency between different cosmological probes of LSST-DESC
2. Cosmological constraints from LSST-only Year-1 data
→ **possible key papers**: cosmological constraints from 3x2pt, clusters, shear-only, clustering only, SNIa, clusters
3. Cosmological constraints and tensions from LSST + External Data Sets
4. Determine any changes to LSST observing strategy and data processing needed to improve cosmology from future data releases
5. Be prepared for serendipity
→ Be prepared to include any unexpected discovery from DR1 into the analysis of DR2

Should help WG prioritize work

Caveat : no breakdown into accompanying and preparatory papers

These days in DESC (current affairs, non-exhaustive)

- Rotation of the collaboration council (10 seats)
 - Nominations are over (5 LSST-France / 22 candidates)
 - **Elections have started.** Full members can vote until 6/12
- Start of the process for next spokesperson
 - Share you thoughts with this [survey](#), until 30/11
 - DESC Spokesperson Nominating Committee listening session on 30/11
- Call for nominations for WG co-conveners → (until today!)
 - Clusters
 - Weak Lensing
- EDI demographics census → seminar on December, 14
- Since August meeting townhall, ongoing discussion regarding membership review process: lightweight review (already in place) or something more
→ ongoing discussion within the CC but also #desc-cc-townhall