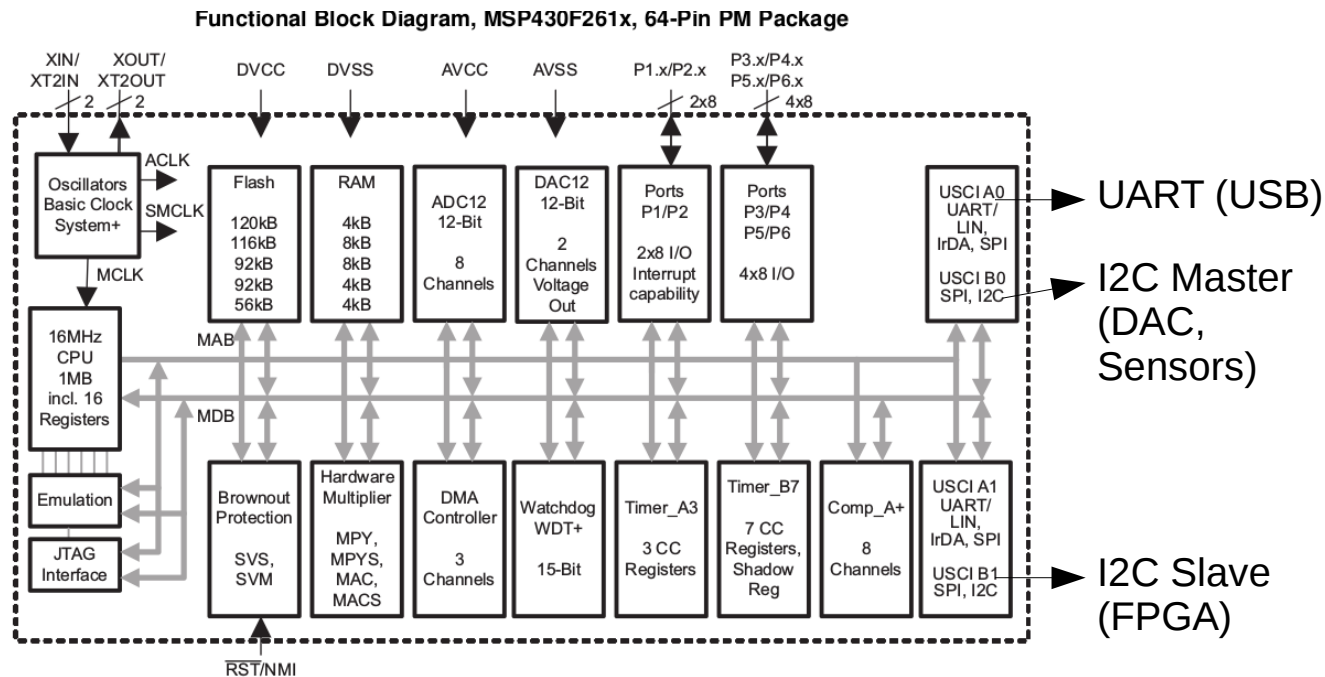


WP4 NCR

MSP I2C configuration



WP4 NCR

SCU frozen after reset

SCU gets RST by watchdog:

- MCU sets all signal to OC
- MCU does same procedure as PO with 3V3_SC still ON
- Sometimes (O1/20) MCU stuck during I2C initialisation
 - Caused by slave is holding I2C-data line LOW
 - Recovery by software complicated
 - Make I2C slave power switchable by MCU → ECR #36

WP4 NCR

No 10V measurement

- Missing connection between 10V and R244
 - Connect 10V to R244 → ECR #24

SCU test and Field version have different binaries

- Unify firmware versions
 - Add jumper for selection field/test version → ECR #33

SCU USB connector never used in Field

- Saves room on FP
 - Move position of USB connector to inner part of the board → ECR #31

WP4 NCR

NCR #14: Wrong measurement of +/- 3V3 analog voltage

- R424 and R428 resistor 8k45 instead of 6k8 Ohms
 - Change R424 and R428 to 6k8 Ohms → NO ECR

NCR without nr: Wrong measurement of I_3V3_SC

- Software issue, wrong reading of R84 (0.082 instead 0.82 Ohm)
 - In last SC-firmware and slowc corrected → NO ECR