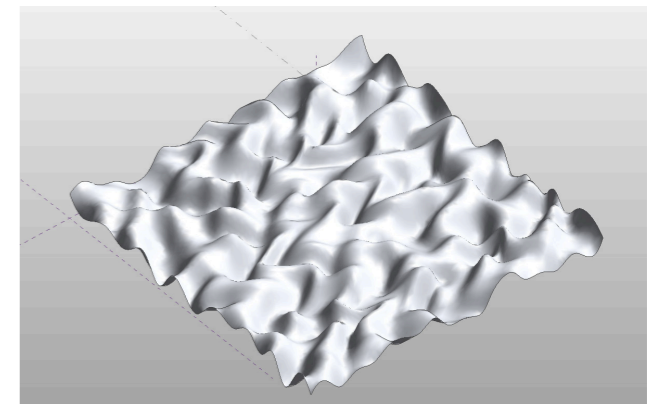
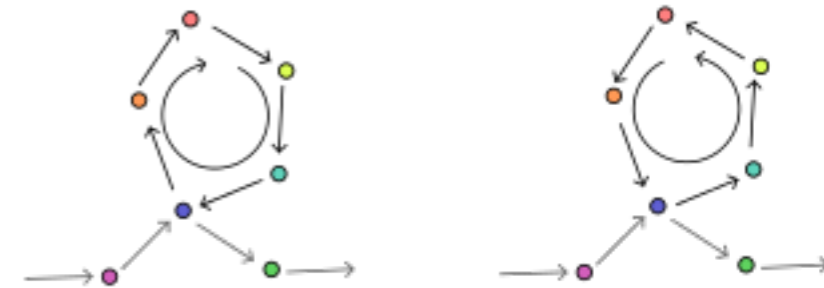
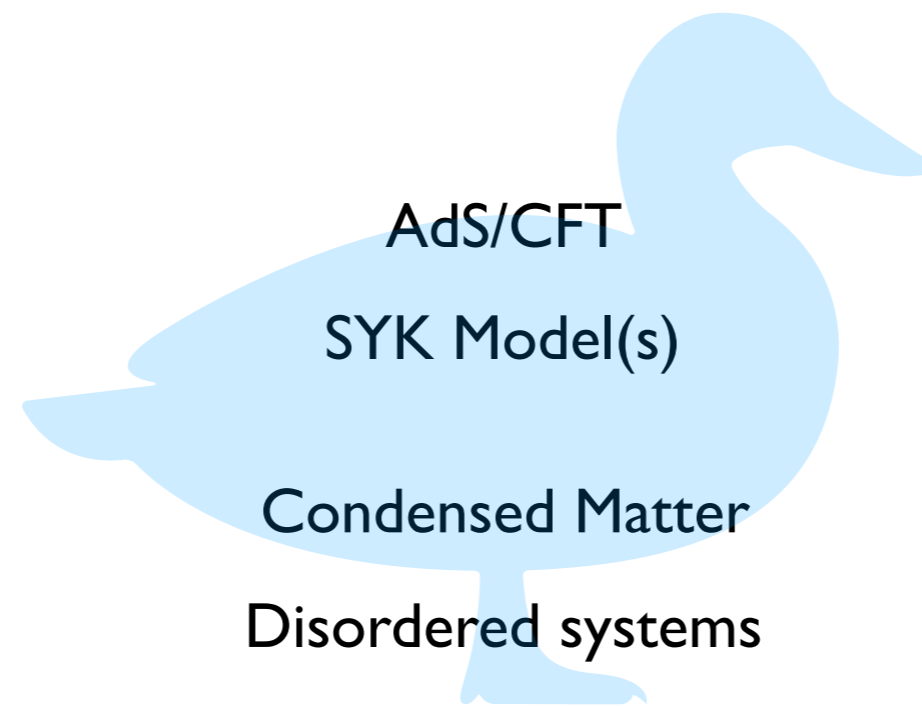
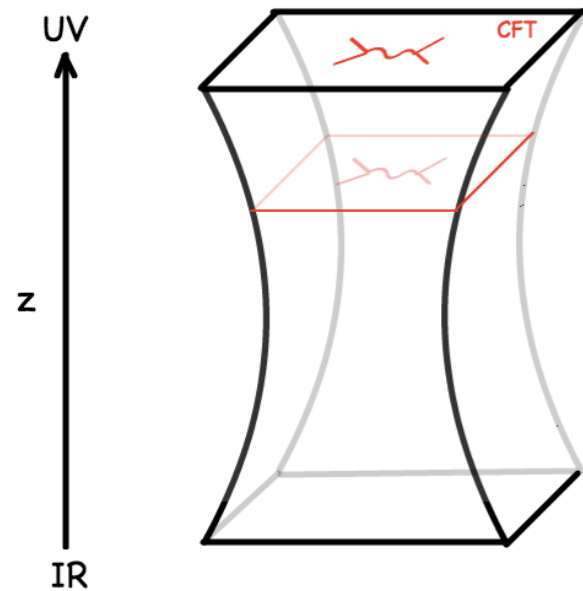


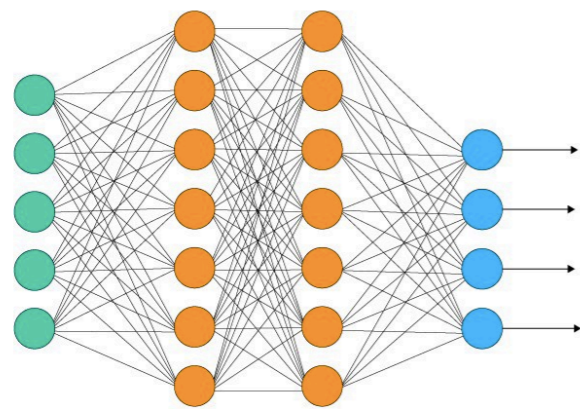
Bruno Loureiro

Before IPhT (@ TCM, Cam)

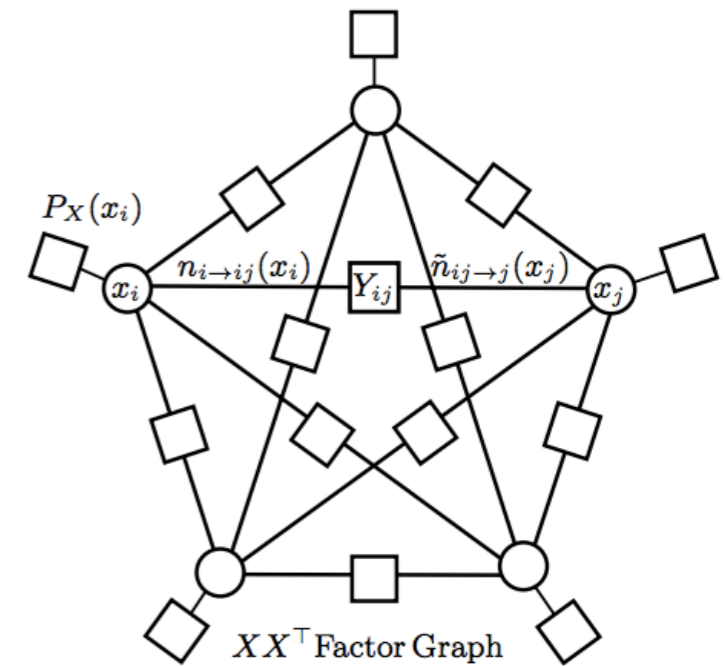
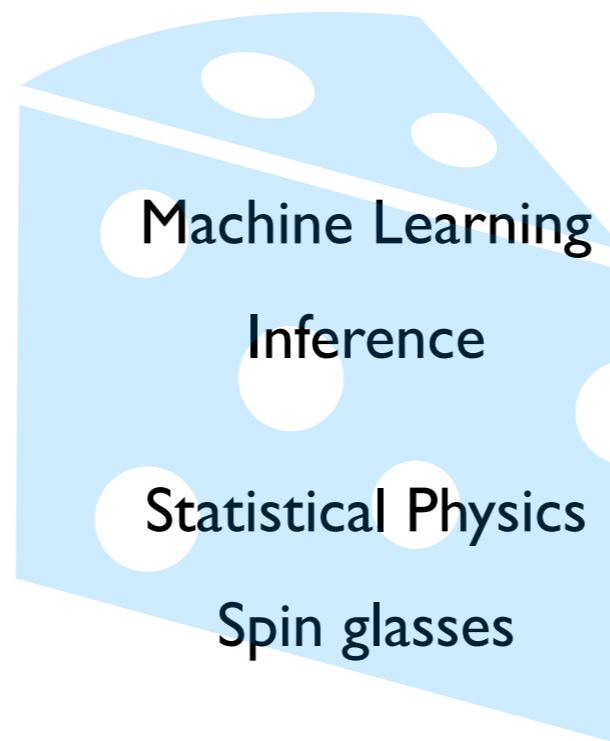


$$H = i^{q/2} \sum_{i < j < k < l} J_{ijkl} \chi_i \chi_j \chi_k \chi_l + \text{other stuff}$$

Bruno Loureiro



At IPhT (with Lenka)



$$p(X|Y) = \prod_i p_X(x_i) \prod_{i < j} p(Y|X) = \mathcal{Z}^{-1} e^{-\beta H}$$

