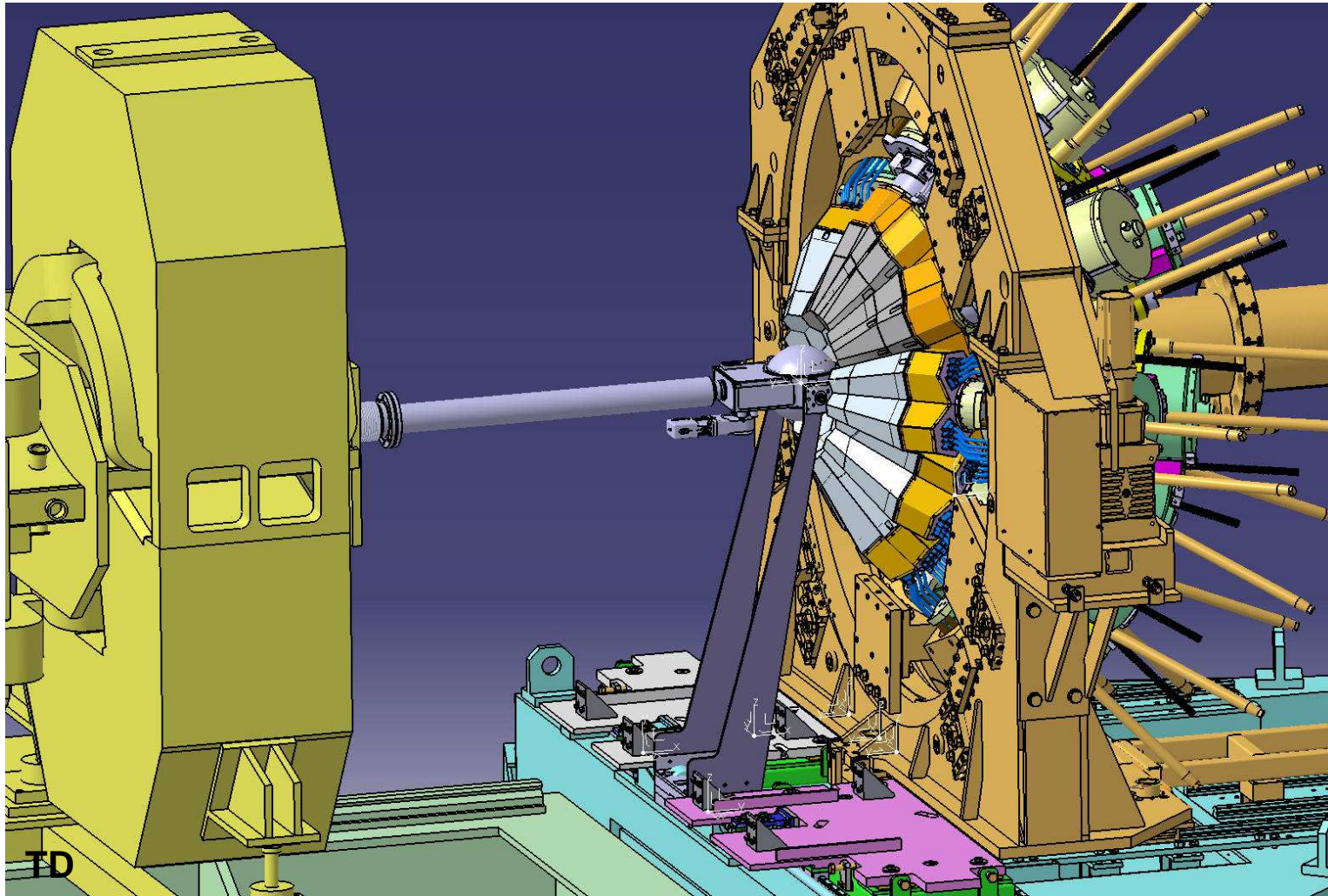
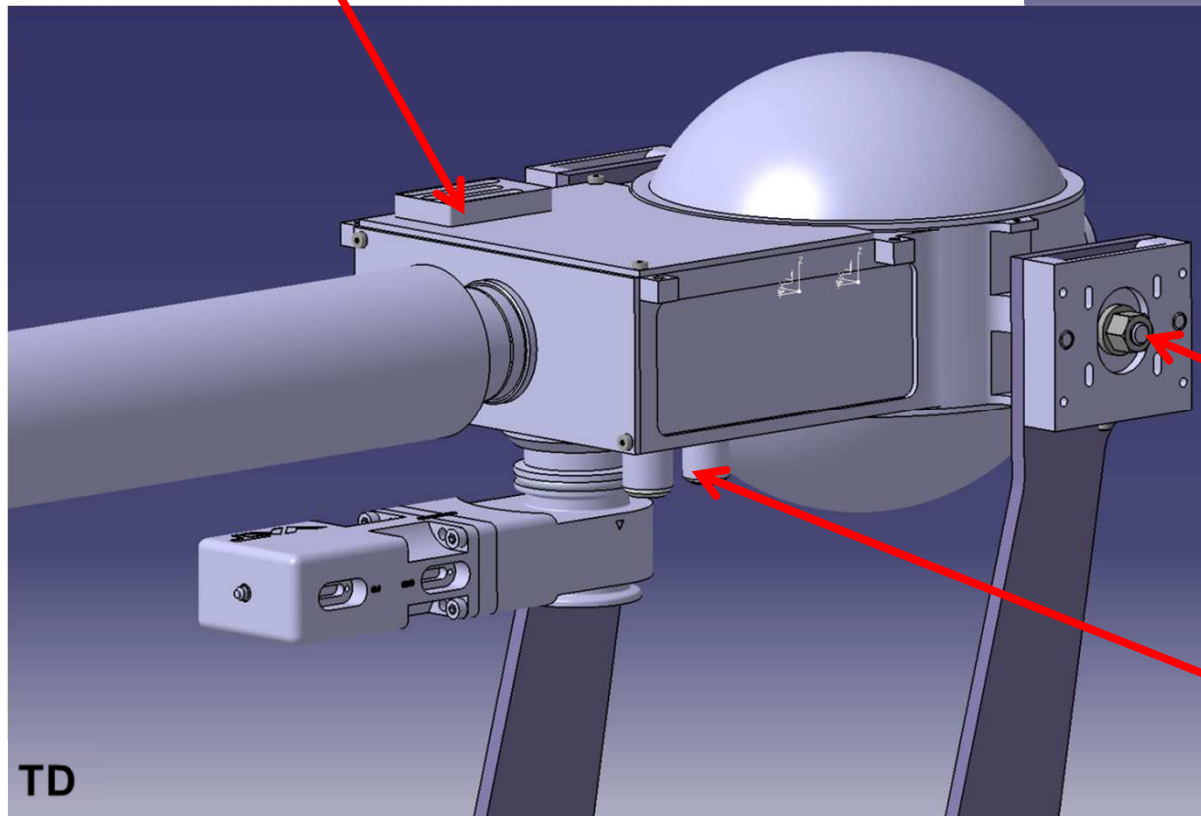
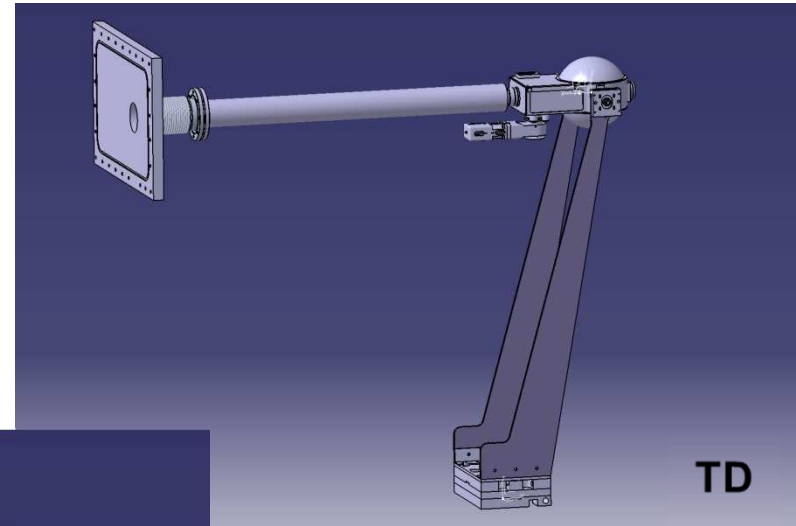


# New reaction chamber for AGATA + DIAMANT + NEDA campaign



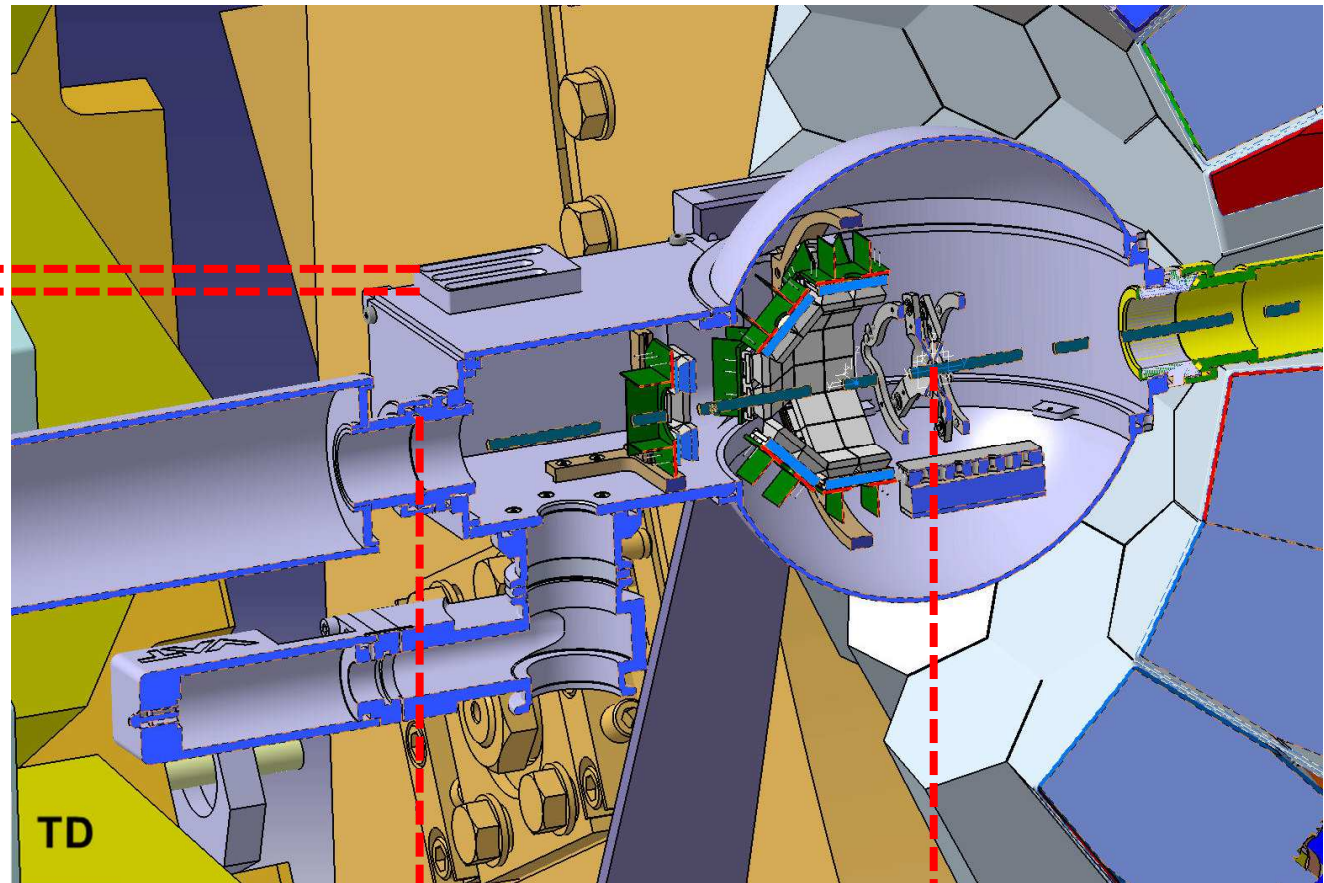
DIAMANT connectors



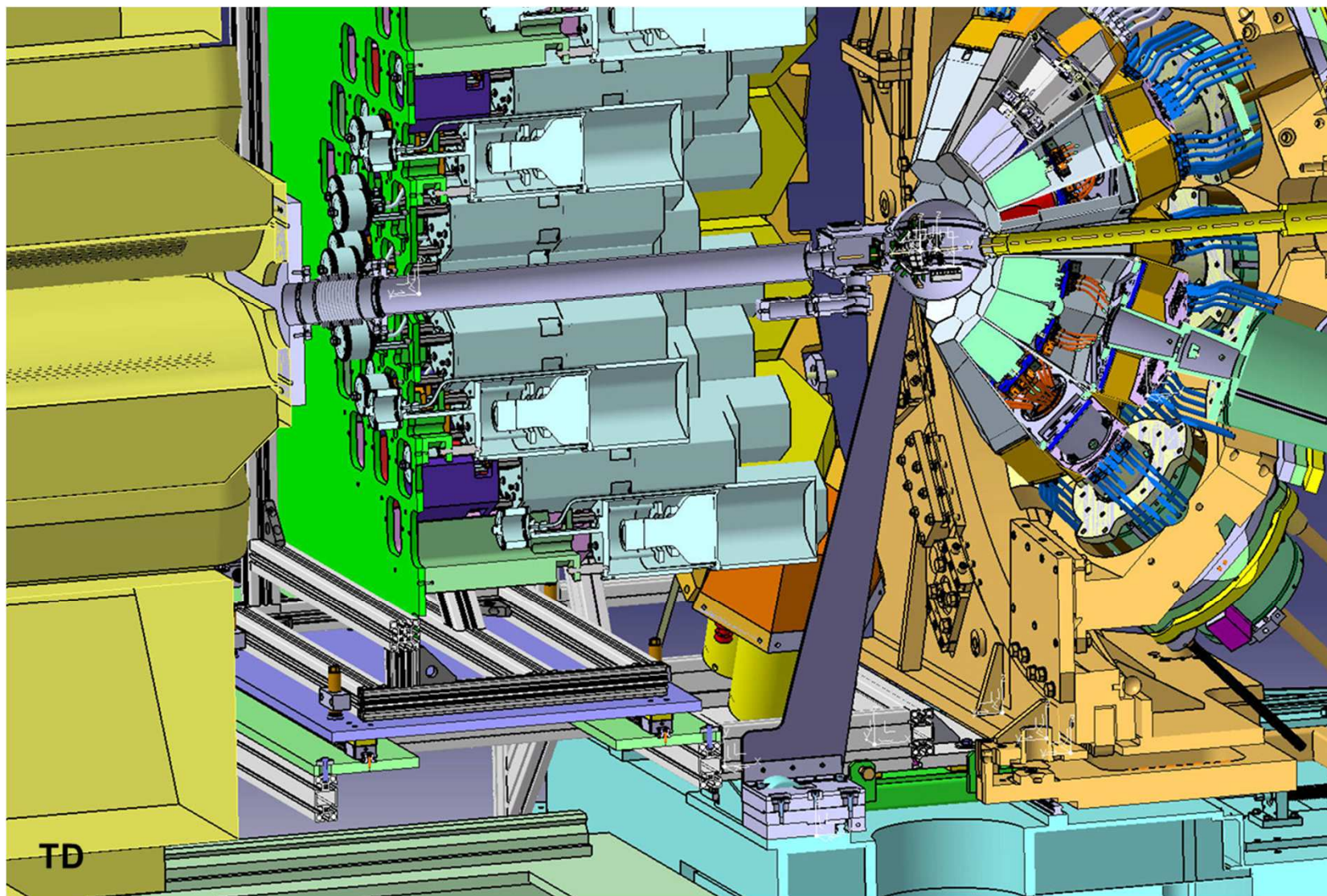
Alignment tuning

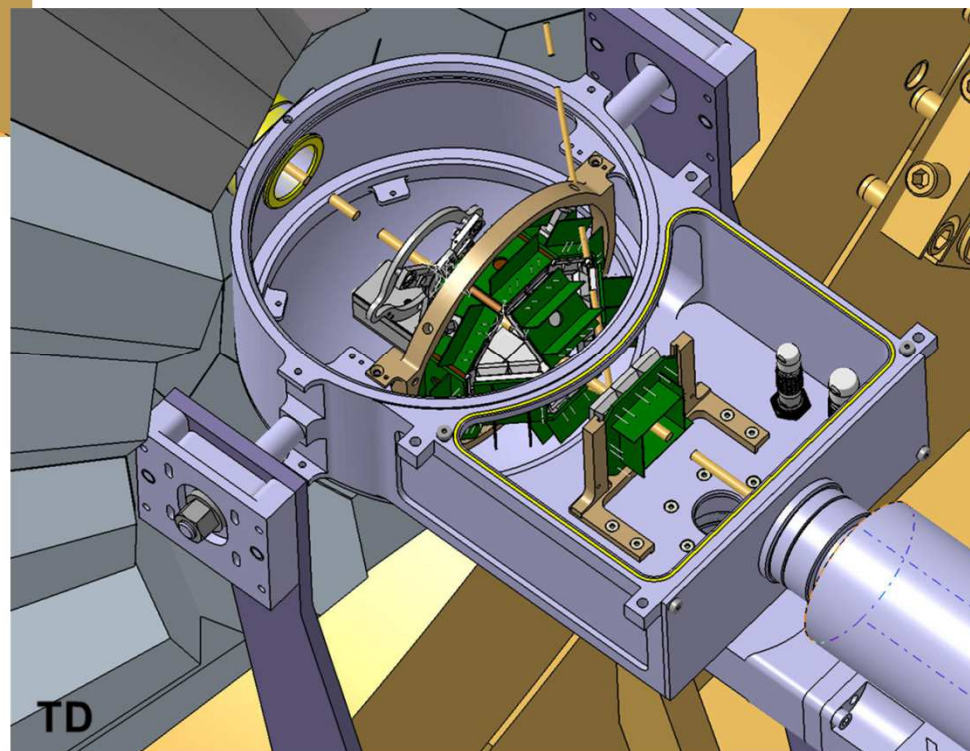
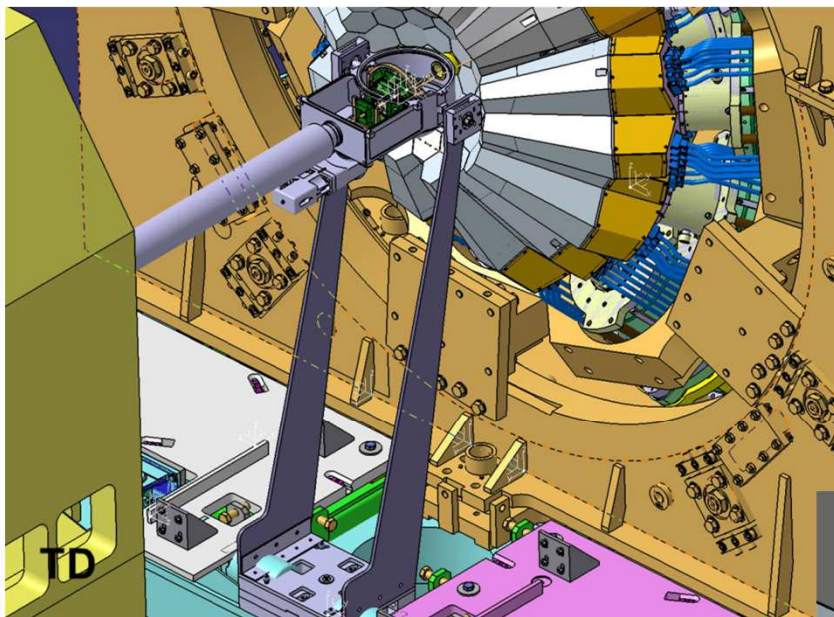
Plunger connectors

18mm



210 mm





## Schedule :

- week 41 : pieces recovered from the  
(09/10) manufacturers
- week 42 : assembly at the laboratory and  
(16/10) test (vacuum, ...)
- week 43 : setting up at GANIL  
(23/10)

Acknowledgement to Thierry Dupasquier for the drawings

