

# DIAMANT and Plunger

---

Joa Ljungvall

October 4, 2016

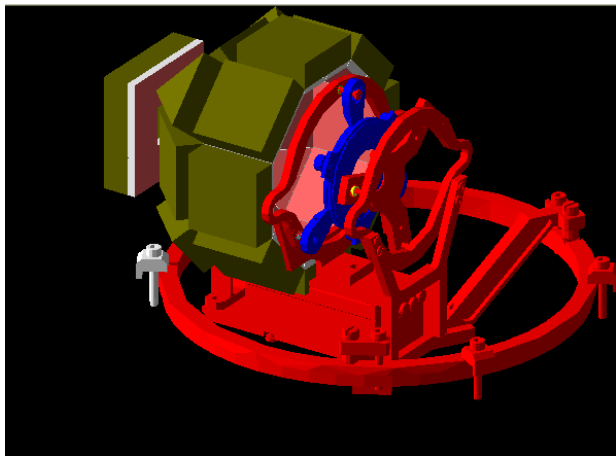
# Why do we need this?

Dr. E. Clément

---

# Can we do with an existing plunger device?

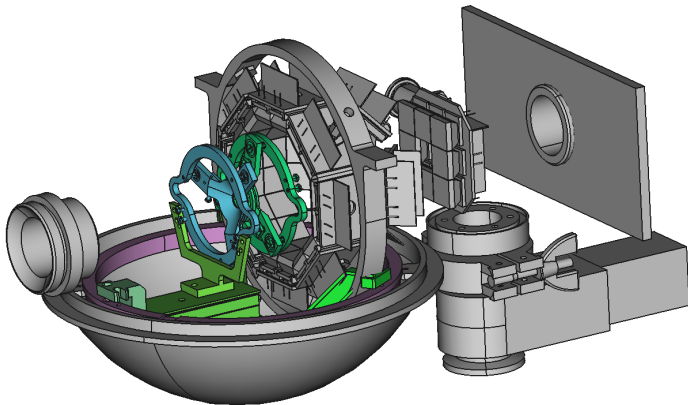
Problem of space and chamber



# Started working on that

Chamber design in Lyon by Thierry Dupasquier

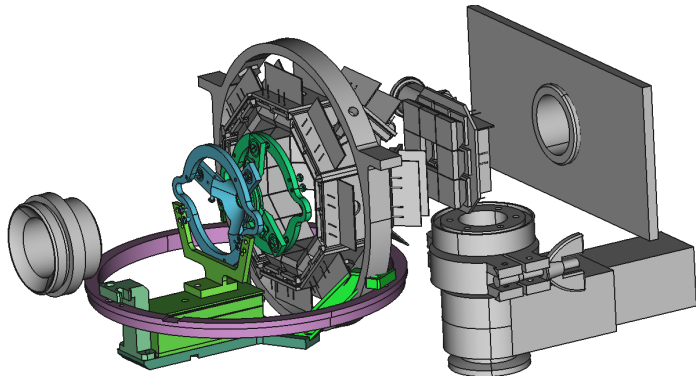
At Orsay we started looking at the problem



# Started working on that

Chamber design in Lyon by Thierry Dupasquier

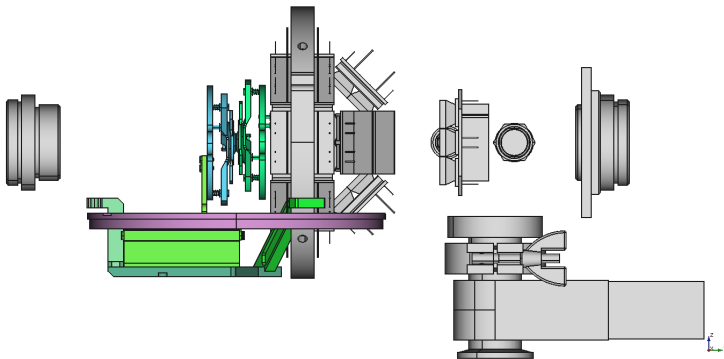
At Orsay we started looking at the problem



# Started working on that

Chamber design in Lyon by Thierry Dupasquier

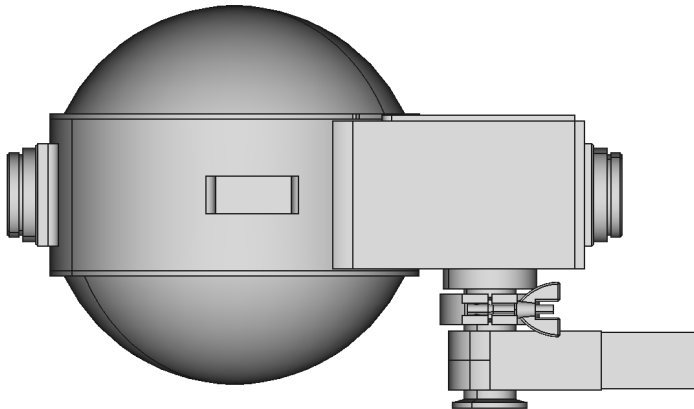
At Orsay we started looking at the problem



# Started working on that

Chamber design in Lyon by Thierry Dupasquier

At Orsay we started looking at the problem



# Emacs 26.0.50.1 (Org mode 8.3.6)