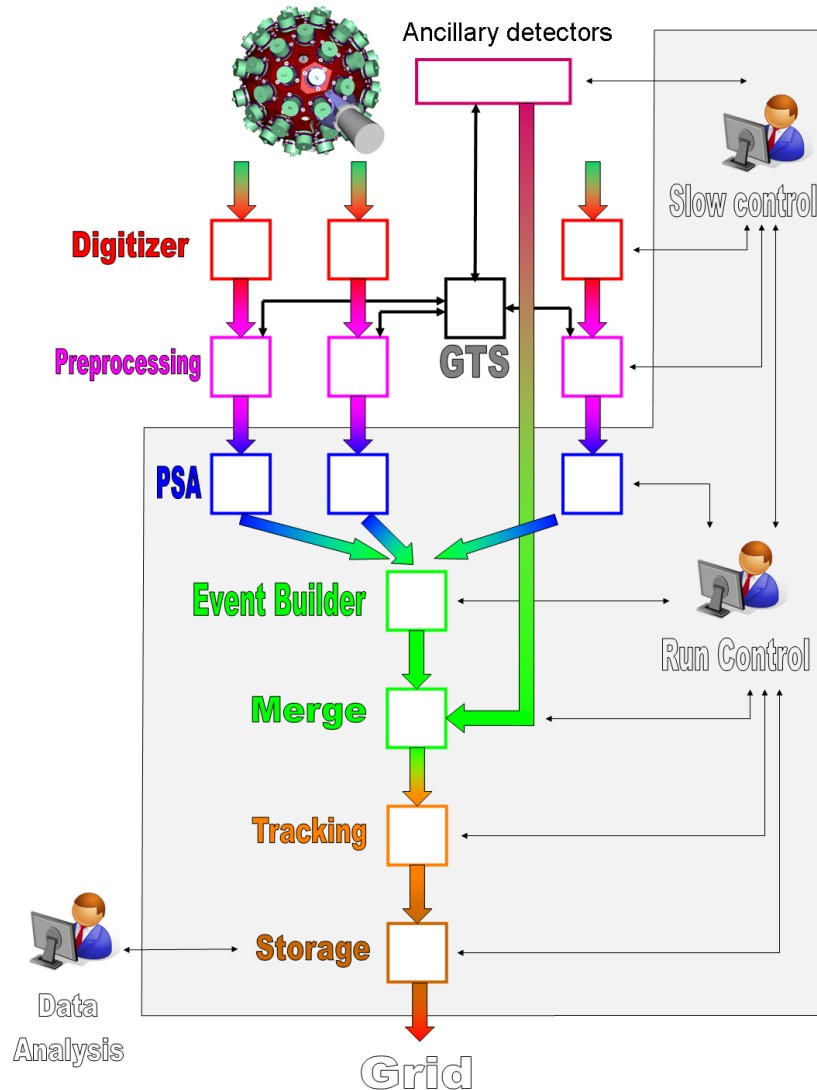




DAQ session, AGATA week Lyon

Ch. THEISEN for the DAQ WG

The DAQ WG



Teams :

- Data acquisition (X. Grave)
- Run Control & GUI (G. Maron)

Tasks :

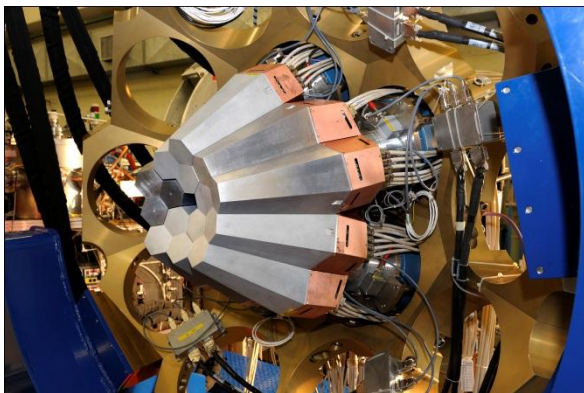
1. Main Data Flow.
2. DAQ services
3. Slow control integration
4. Hardware and software installation and handling
5. Local infrastructure
6. Overall integration

DAQ functions

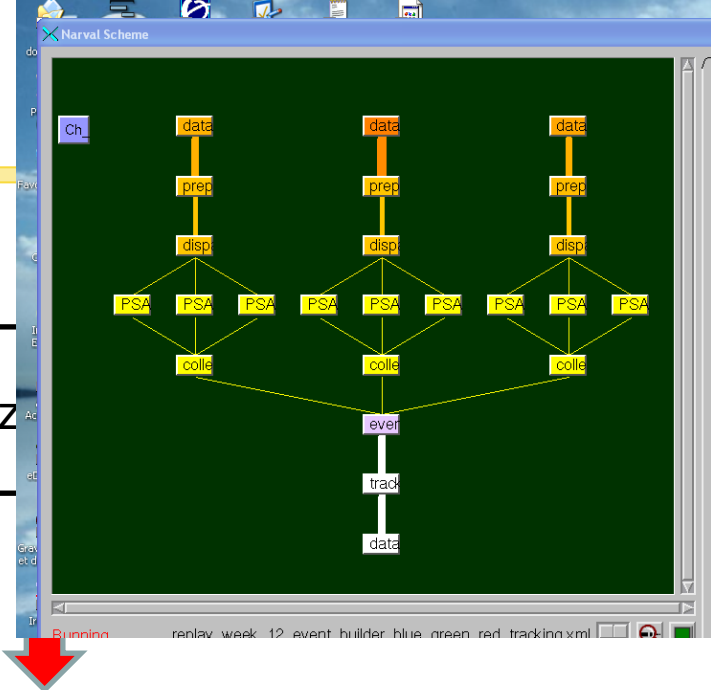


- Receive data from FEE
- Transport and process data :
 - PSA, EB, Merge, Tracking, Storage
 - Data spy: the watchers
 - Monitoring
- Control the experiment
 - The Run Control
 - Cracow Graphical interface
 - Global Electronics « Slow » Control
- Interface with ancillaries
- Transfer data to grid
- Hardware and software administration
 - Pizzas, disk, network, monitoring, backup, repairs, ...
- Users support
 - Documentation, wiki, web, ticket system, ...
- Hide the difficulties

Distributed processes



Digitiz



Disk servers (112 + 8 TB)



Pizza boxes

News since last agata week

- 9 experiments performed
- ~70 TB of data produced
- All experiments backed up to the grid

- No major problems on the DAQ side
- « bobologie »



Reminder : user's support

- Logbook
- Wiki
- DAQ Web site
 - Docs, minutes, ...
 - Ticket system
- DAQ admin. mailing list



The logbook

<http://agata-0.lnl.infn.it:8989/>



Welcome to Agata Elog

| Logbook | Entries | Last submission |
|--|---------|---|
| Experiments | | |
| Common | 3 | Fri Jul 16 11:08:26 2010 by Stezowski Olivier, mailto:stezow@ipnl.in2p3.fr |
| 2009-03-16 | 16 | Mon May 25 23:44:32 2009 by Francesco Recchia, mailto:recchia@pd.infn.it |
| 2009-06-29 | 3 | Wed Jul 1 11:53:40 2009 by Benedikt Birkenbach, mailto:bene@ikp.uni-koeln.de |
| 2009-10-22 | 0 | - |
| 2009-11-13 | 0 | - |
| 2009-12-03 | 0 | - |
| 2010-02-18 | 0 | - |
| 2010-04-26 | 16 | Thu Jul 15 13:49:29 2010 by Johan Nyberg, mailto:johan.nyberg@physics.uu.se |
| General | | |
| Shift | 12 | Wed Mar 3 12:16:26 2010 by araceli lopez-martens, mailto:araceli.lopez-martens@csnsm.in2p3.fr |
| Subsystems | | |
| DAQ | 5 | Thu Feb 18 18:57:58 2010 by Eric Legay, mailto:eric.legay@csnsm.in2p3.fr |
| Run Control | 1153 | Wed Aug 4 22:36:15 2010 by Run Control |
| Prisma | 0 | - |
| Slow Control | 2111 | Tue Oct 5 16:47:21 2010 by AGATA |
| DSS | 10 | Tue Oct 5 15:47:45 2010 by Ange LOTODE, mailto:ange.lotode@cea.fr |
| Test | | |
| Test | 12 | Wed Feb 3 16:04:19 2010 by RCMS |
| Comments Comments and suggestions to improve Agata elog | 2 | Wed Jul 1 18:59:54 2009 by Benedikt Birkenbach, mailto:bene@ikp.uni-koeln.de |

Web, documentation

- DAQ web site : <http://csngwinfo.in2p3.fr/>



AGATA daq acquisition group

Welcome to the DAQ portal

Next AGATA week : Lyon, November 22-26, 2010

- AGATA websites
 - Official Site
 - Official News
 - Agata-all mailing list
- AGATA log book
- DAQ wiki clone
- AGATA calendar

18092 reads

DAQ Group

Search

urligner tout Respecter la casse

DAQ working group

- Organization
- DAQ WG minutes
- News
- DAQ mailing list

Dataflow

- Narval website
- Data format minutes
- News
- NARVAL mailing list

Run Control

- News

Slow Control

- Slow Control minutes
- ENX website
- Data Base Access
- Web Services
- Implementation
- WSDL interface
- News
- SC mailing list

Ressources

- AGATA Week
- AGATA wiki clone
- Documentation
- Hardware list
- Syndicate
- Links

Ticket System

- Case Tracker
 - Overview
 - Cases
- How to

Who's online

There are currently 1 user and 0 guests online.

Online users

- theisen

theisen

- Create content
- Recent posts
- My account
- Administer
- Log out

Web, documentation

- DAQ wiki



services

- Workstation
- Acquisition software
- Grid information

narval and algorithms

- NARVAL overview
- NARVAL interfaces
- Agata Data Flow
- Algorithms
- How to debug

slow control

- User Interface
- Software
- Infrastructure

fee

- Digitizer
- Carrier
- GTS
- Segments / Core

system administration

- Topology
- Access to experiment

[page](#) [discussion](#) [view source](#) [history](#)

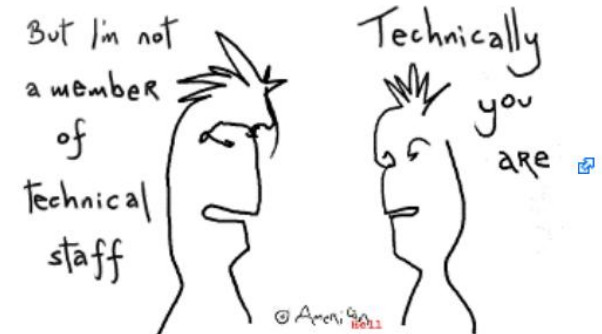
Main Page



Lambda physicist



Skilled physicist



Technical staff

Next actions



- Improved experiment control
 - GEC = Global Electronics Control. Early implementation
 - GUI for the GEC
- Experiment monitoring
 - pre-DAQ monitoring (GEC)
 - DAQ (algo, rates, ...).
- Move to GSI
- Next phases (including GSI) : new ideas ?
- NIM paper ? (AGATA general paper in progress).
- ...

Today's Agenda



- Introduction (Ch. T, CEA Saclay)
- Data flow upgrades (X. Grave, IPN Orsay)
- GEC and monitoring (Eric Legay, CSNSM Orsay)
- On-line checking using watchers (Olivier Stézowski , IPN Lyon)
- Grid data transfers. (O. Stézowski on behalf of P. Molini, INFN LNL)

- Coffee Break

- Hardware and admin (Yann Aubert, IPN Orsay)
- New ideas for next phases - Project definition (Ch. T, CEA Saclay)
- GSI phase (N. Kurtz, GSI Darmstadt)
- Discussions on the GSI phase
- Conclusions (Ch. T, CEA Saclay)

- Team meeting tomorrow morning